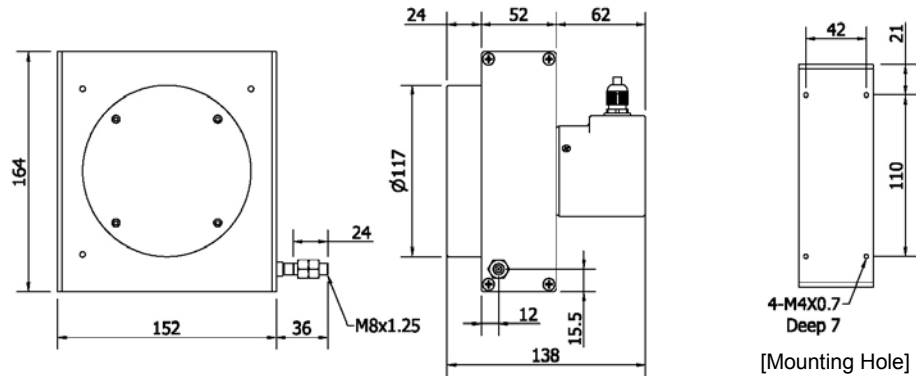


HPS-L1-R

LINEAR WIRE POTENTIOMETER

- PRECISION ELECTRIC RESISTANCE SIGNAL OUTPUT
- SUITABLE FOR LONG MEASUREMENT RANGE



ELECTRICAL SPEC.

Full Stroke (mm) 量測行程	3000, 4000, 5000, 6000, 8000
Sensor	Wire-wound and hybrid potentiometer
Output Signal Mode 輸出信號模式	Resistance (Potentiometer)
Resolution 解析	Essentially infinite
Linearity 線性度	[standard class] $\pm 0.25\%$ FS; [precision class] $\pm 0.1\%$ FS (± 1 count)
Repeatability 重覆性	$\pm 0.02\%$ FS
Output Resistance 輸出電阻值	[standard class] 5K ohm $\pm 10\%$ FS; [precision class] 5K ohm $\pm 5\%$ FS
Power Rating (watts)	2 W at 40°C
Recommended Input Voltage 輸入電壓	30V (AC/DC) max., best voltage at 5 ~ 10 VAC/VDC

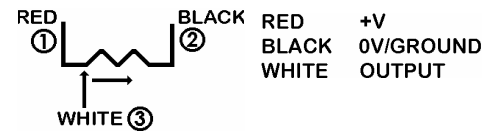
MECHANICAL SPEC.

Wire Specification 線徑規格	Diameter: 1.0 mm SUS304 with nylon coating
Max. Travel Speed 最大往復速度	600 mm / sec.
Vibration 震動	10 Hz to 2000 Hz, 10 g
Cable 電線	Ø5.4, 100 cm long
Weight 重量	< 3,500 g
Starting Torque on Spring 拉力	$\leq 2,200$ g

ENVIRONMENTAL SPEC.

Operating Temp. / Humidity 操作溫度/濕度	-20°C ~ 70°C
Storage Temp. 儲存溫度	-20°C ~ 80°C
Protection 保護等級	IP64: Dust & Dripping Proof (only for potentiometer housing)

Electrical Connection



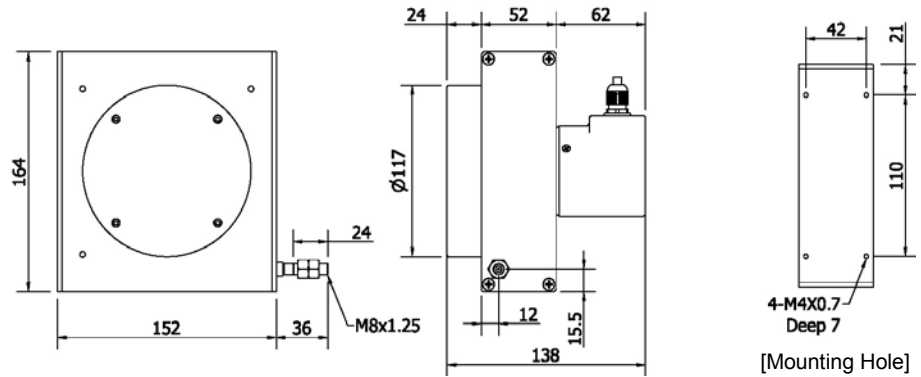
ORDERING INFORMATION

HPS - L1 -	Measuring Range 量測行程		Signal Mode 信號模式	Life 壽命及線性度
	30 : 3000 mm 40 : 4000 mm 50 : 5000 mm	60 : 6000 mm 80 : 8000 mm		

HPS-L1-V

LINEAR WIRE POTENTIOMETER

- PRECISION ELECTRIC 0-5V and 0-10V SIGNAL OUTPUT
- SUITABLE FOR LONG MEASUREMENT RANGE



ELECTRICAL SPEC.

Full Stroke (mm) 量測行程	3000, 4000, 5000, 6000, 8000
Sensor	Wire-wound and hybrid potentiometer
Output Signal Mode 輸出信號模式	0-5Vdc or 0-10Vdc
Resolution 解析	Essentially infinite
Linearity 線性度	[standard class] ±0.3% FS; [precision class] ±0.15% FS (±1 count)
Repeatability 重覆性	±0.05% FS
Input Power 供應電壓	10-30Vdc for 0-5V output; 15-30Vdc for 0-10V output
Input Current 供應電流	10 mA max.

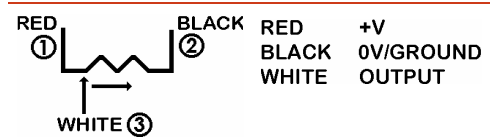
MECHANICAL SPEC.

Wire Specification 線徑規格	Diameter: 1.0 mm SUS304 with nylon coating
Max. Travel Speed 最大往復速度	600 mm / sec.
Vibration 震動	10 Hz to 2000 Hz, 10 g
Cable 電線	Ø5.4, 100 cm long
Weight 重量	< 3,500 g
Starting Torque on Spring 拉力	≤ 2,200 g

ENVIRONMENTAL SPEC.

Operating Temp. / Humidity 操作溫度/濕度	0°C ~ 70°C
Storage Temp. 儲存溫度	-20°C ~ 80°C
Protection 保護等級	IP64: Dust & Dripping Proof (only for potentiometer housing)

Electrical Connection



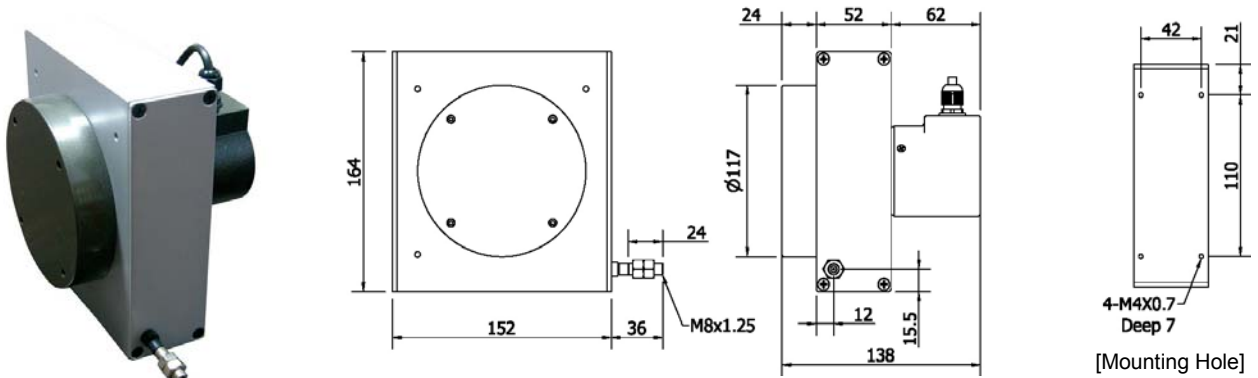
ORDERING INFORMATION

HPS - L1 -	Measuring Range 量測行程		Signal Mode 信號模式	Life 壽命及線性度
	30 : 3000 mm	60 : 6000 mm	*5V: 0-5Vdc	Blank: 1 X 10 ⁶ cycles, linearity 0.3% FS
	40 : 4000 mm	80 : 8000 mm	*10V: 0-10Vdc	*F: 5 X 10 ⁶ cycles, linearity 0.15% FS
	50 : 5000 mm			*F25: 5 X 10 ⁶ cycles, linearity 0.3% FS

HPS-L1-MA

LINEAR WIRE POTENTIOMETER

- PRECISION ANALOG CURRENT 4-20mA SIGNAL OUTPUT
- SUITABLE FOR LONG MEASUREMENT RANGE



ELECTRICAL SPEC.

Full Stroke (mm) 量測行程	3000, 4000, 5000, 6000, 8000
Sensor	Wire-wound and hybrid potentiometer
Output Signal Mode 輸出信號模式	4-20 mA (2 wires)
Resolution 解析	Essentially infinite
Linearity 線性度	[standard class] $\pm 0.3\%$ FS; [precision class] $\pm 0.15\%$ FS (± 1 count)
Repeatability 重覆性	$\pm 0.05\%$ FS
Input Power 供應電壓	15-24Vdc $\pm 20\%$
Input Current 供應電流	20 mA max.
Loop Resistance (load)	(loop supply voltage -12) / 0.02 max.
Zero and Span Adjustment	$\pm 5\%$

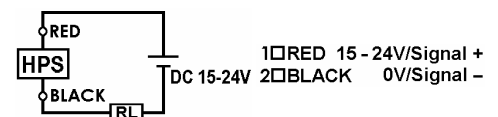
MECHANICAL SPEC.

Wire Specification 線徑規格	Diameter: 1.0 mm SUS304 with nylon coating
Max. Travel Speed 最大往復速度	600 mm / sec.
Vibration 震動	10 Hz to 2000 Hz, 10 g
Cable 電線	$\varnothing 5.4$, 100 cm long
Weight 重量	< 3,500 g
Starting Torque on Spring 拉力	$\leq 2,200$ g

ENVIRONMENTAL SPEC.

Operating Temp. / Humidity 操作溫度/濕度	0°C ~ 70°C
Storage Temp. 儲存溫度	-20°C ~ 80°C
Protection 保護等級	IP64: Dust & Dripping Proof (only for potentiometer housing)

Electrical Connection



ORDERING INFORMATION

HPS - L1	Measuring Range 量測行程		Signal Mode 信號模式	Life 壽命及線性度
	30 : 3000 mm 40 : 4000 mm 50 : 5000 mm	60 : 6000 mm 80 : 8000 mm		