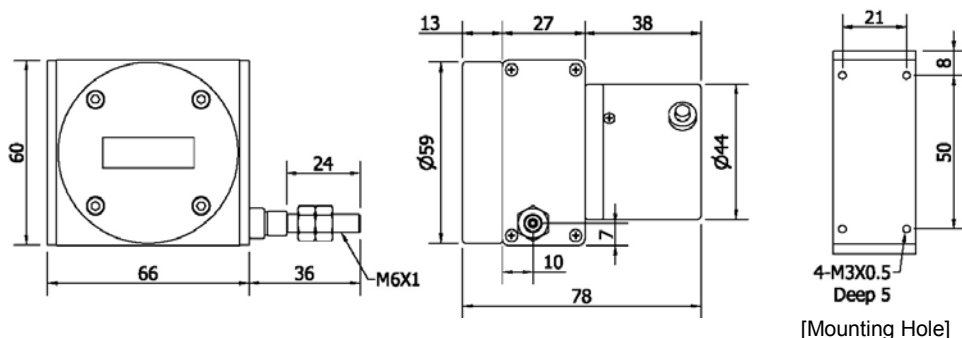


# HLS-S

## LINEAR WIRE ENCODER



### ELECTRICAL SPEC.

Detection System	Incremental 增量型
Output Wave 輸出波形	Square Wave 方波
Stroke (mm) 量測行程	200, 500, 1000
Standard Resolution (mm/pulse) 解析	1, 0.5, 0.2, 0.1, 0.04 mm/pulse
Accuracy 精度	±0.05% FS, ±1 count
Output Phase 輸出相	AB phase or ABZ phase
Electronics 電路特性	NPN Voltage, NPN Open Collector, Push Pull or Line Driver
Power Supply 供應電源	DC 8~26V, DC 5V fixed
Current Consumption 消耗電流	≤ 60 mA
Output Capacity 輸出容量	Sync. Current: 20 mA, Residual Voltage: 0.5V or less
Max. Response 最大響應頻率	10K Hz ~ 50K Hz
Phase Different 相位差	A, B phase different 90°±45° (T/4±T/8), Z phase T±T/2
Wave Form Rise / Fall 波形上下時間	2 µs or less
Polarity 極性保護	Against Reverse Protection (not with DC 5V)

### MECHANICAL SPEC.

Wire Specification 線徑規格	Material: SUS304 with nylon coating Diameter: 0.6 mm; Breaking load: 16 Kg
Max. Travel Speed 最大往復速度	1,000 mm / sec.
Vibration 震動	10g (10±1,500 Hz)
Shock 衝擊	20g per 11 ms
Cable 電線	Ø4.5, 50 cm long
Weight 重量	< 450g
Starting Torque on Spring 拉力	Max. 700 g

### ENVIRONMENTAL SPEC.

Operating Temp. / Humidity 操作溫度/濕度	0°C ~ 60°C, RH 35% ~ 90% (No Condensation)
Storage Temp. 儲存溫度	-20°C ~ 80°C
Protection 保護等級	IP50: Dust Proof (only for encoder housing)
Life 壽命	Typical > 1 X 10 <sup>6</sup> cycles

### ORDERING INFORMATION

<b>HLS-S</b>	-	<b>Measuring Range</b> 量測行程	-	<b>Resolution</b> 解析	-	<b>Output Phase</b> 輸出相	-	<b>Electronics</b> 電路特性	-	<b>Supply Voltage</b> 供應電源
		02 : 200 mm 05 : 500 mm 10 : 1000 mm		1 : 1 mm 05 : 0.5 mm 02 : 0.2 mm 01 : 0.1 mm 001 : 0.01 mm		Blank: AB phase *Z: ABZ phase		Blank: NPN Voltage C: NPN Open-Collector PP: Push-Pull *L: Line Driver 5Vdc *HL: Line Driver 5~26Vdc		Blank: 8~26Vdc 5V: 5Vdc fixed