

HTR-HL

ROTARY ENCODER HOLLOW SHAFT

for Servo Motor

- Hollow Shaft Diameter 8 mm
- with UVW Output Signal



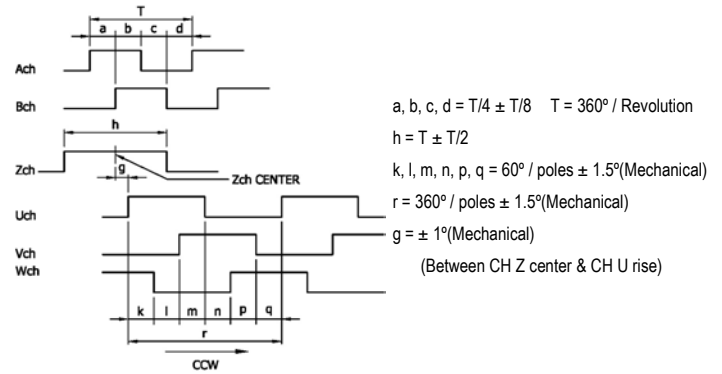
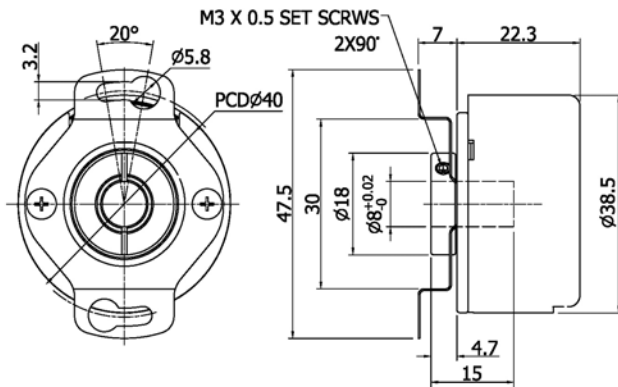
ORDERING INFORMATION

HTR-HLA - 8 - 2500 - 4 -

Connection
配線方式

- A: Connector 15 pin
B: Connector 9 pin

DIMENSION



ELECTRICAL SPEC.

Pulse Per Revolution 解析	2500
Phase Different 相位差	A, B phase different $90^\circ \pm 36^\circ$ ($T/4 \pm T/10$), Z phase $T \pm T/4$, UVW $120^\circ \pm 5^\circ$
Electronics 電路特性	Line Driver 差動式
Output Phase 輸出相	A, /A, B, /B, Z, /Z, U, /U, V, /V, W, /W phase
UVW pole 極數	4 pole 極
Power Supply 供應電源	DC 5V \pm 10%
Current Consumption 消耗電流	≤ 150 mA
Output Capacity 輸出容量	Sync. Current: 20 mA, Hi Output ≥ 2.5 Vdc, Lo Output ≤ 0.5 Vdc
Max. Response 最大響應頻率	250K Hz
Wave Form Rise / Fall 波形上下時間	≤ 100 ns

MECHANICAL SPEC.

Hollow Shaft Diameter 孔徑	8 mm
Shaft Loading 軸荷重	Axial 軸向: 0.5 Kg, Radial 徑向: 1 Kg
Starting Torque (at 25°C) 起動轉矩	30 gf-cm or less
Max. Speed 最大機械容許速度	6,000 rpm
Vibration 震動	10~55 Hz / 1.5 mm X,Y,Z 2 hr
Shock 衝擊	50g per 11 ms
Weight 重量	≤ 200 g

ENVIRONMENTAL SPEC.

Operating Temp. / Humidity	-10°C ~ 85°C, RH 35% ~ 90%
操作溫度/濕度	(No Condensation)
Storage Temp. 儲存溫度	-20°C ~ 85°C
Protection 保護等級	IP50: Dust Proof

CONNECTOR PIN FUNCTION

PIN	A	(OPTION) Cable 1 m with Female Connector
1	GND	Black
2	+V	Red
3	A	Blue
4	/A	Blue / White
5	B	Green
6	/B	Green / White
7	Z	Yellow
8	/Z	Yellow / Black
9	U	Purple
10	/U	Purple / White
11	V	Orange
12	/V	Orange / White
13	W	Brown
14	/W	Brown / White
15	NC	Shield

PIN	B	(OPTION) Cable 1 m with Female Connector
1	GND	Black
2	+V	Red
3	U -> A	Blue
4	/U -> /A	Purple
5	V -> B	Green
6	/V -> /B	Orange
7	W -> Z	Yellow
8	/W -> /Z	Brown
9	NC	Shield



鴻璿股份有限公司
HONTKO CO., LTD.

• TEL: +886 2 2226-3867 • FAX: +886 2 2226-2011 • E-mail: sales@hontko.com.tw