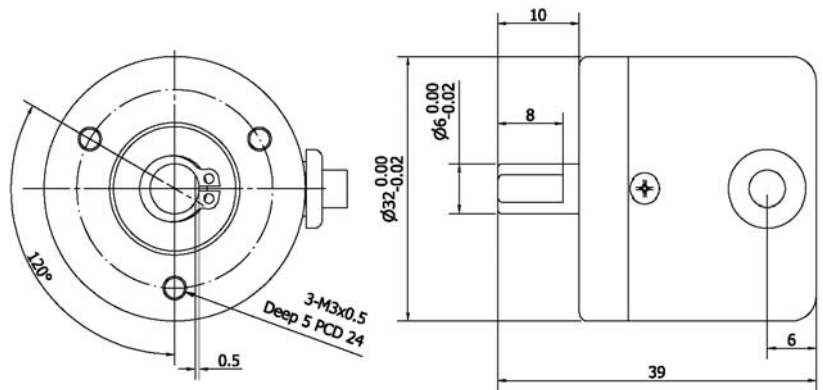


HTR-M2

ECONOMICAL & SMALL ROTARY ENCODER



ELECTRICAL SPEC.

Detection System	Incremental 增量型
Output Wave 輸出波形	Square Wave 方波
Standard Number of Pulse Per Revolution 解析	10, 40, 50, 60, 100, 150, 200, 250, 300, 360, 400, 500, 600, 800, 1000
Output Phase 輸出相	AB phase
Electronics 電路特性	NPN Voltage 電壓型, NPN Open Collector 電流型
Power Supply 供應電源	DC 5~12V or DC 10~26V for NPN Voltage, DC 5~26V for NPN Open Collector
Current Consumption 消耗電流	≤ 50 mA
Output Capacity 輸出容量	Sync. Current: 20 mA, Residual Voltage: 0.5V or less
Max. Response 最大響應頻率	10K Hz ~ 100K Hz
Phase Different 相位差	A, B phase different $90^\circ \pm 45^\circ$ (T/4 \pm T/8)
Wave Form Rise / Fall 波形上下時間	2 μ s or less
Polarity 極性保護	Against Reverse Protection

MECHANICAL SPEC.

Shaft Diameter 軸徑	6 mm
Shaft Loading 軸荷重	Axial 軸向: 0.5 Kg, Radial 徑向: 1 Kg
Starting Torque (at 25°C) 起動轉矩	20 gf-cm or less
Max. Speed 最大機械容許速度	6,000 rpm
Vibration 震動	10g (10 \pm 1,500 Hz)
Shock 衝擊	20g per 11 ms
Cable 電線	$\phi 4.5$, 50 cm long
Weight 重量	≤ 100 g

ENVIRONMENTAL SPEC.

Operating Temp. / Humidity 操作溫度/濕度	-10°C ~ 60°C, RH 35% ~ 90% (No Condensation)
Storage Temp. 儲存溫度	-20°C ~ 80°C
Protection 保護等級	IP50: Dust Proof

ORDERING INFORMATION

HTR-M2	Pulse per Revolution 解析	Output Phase 輸出相	Electronics 電路特性	Supply Voltage 供應電源
	10, 40, 50, 60, 100, 150, 200, 250, 300, 360, 400, 500, 600, 800, 1000 P/R	2: AB phase	LV: NPN Voltage HV: NPN Voltage C: NPN Open-Collector	Blank: 5~12Vdc Blank: 10~26Vdc Blank: 5~26Vdc