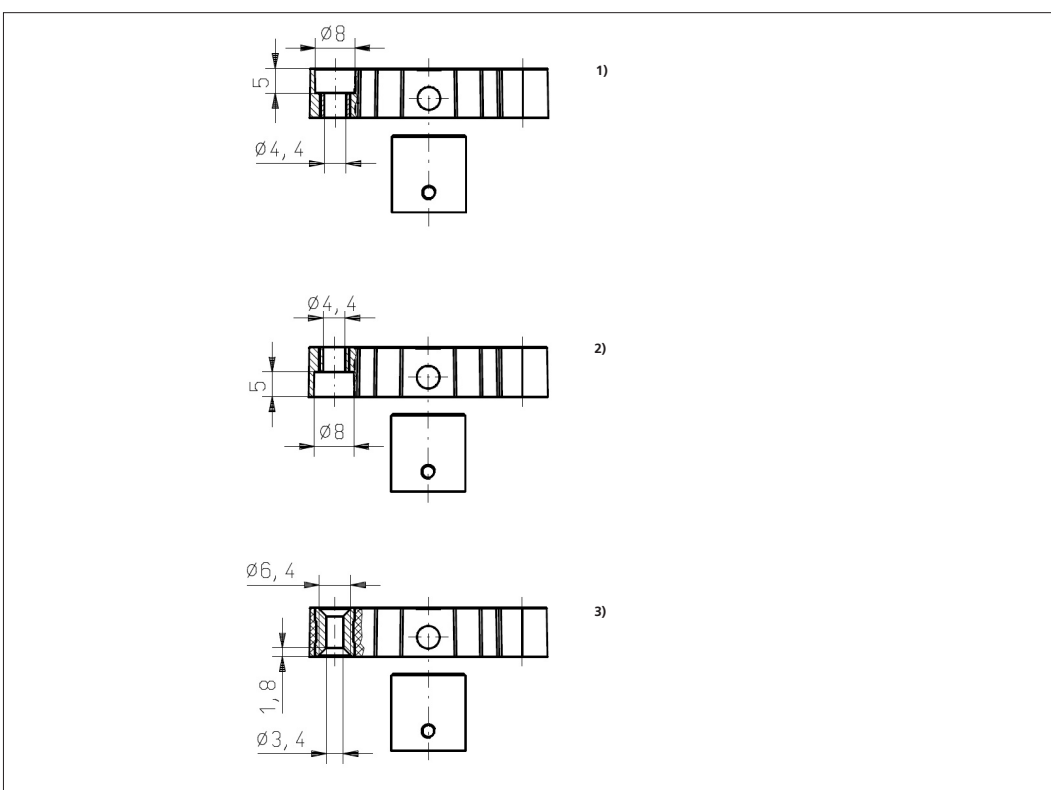
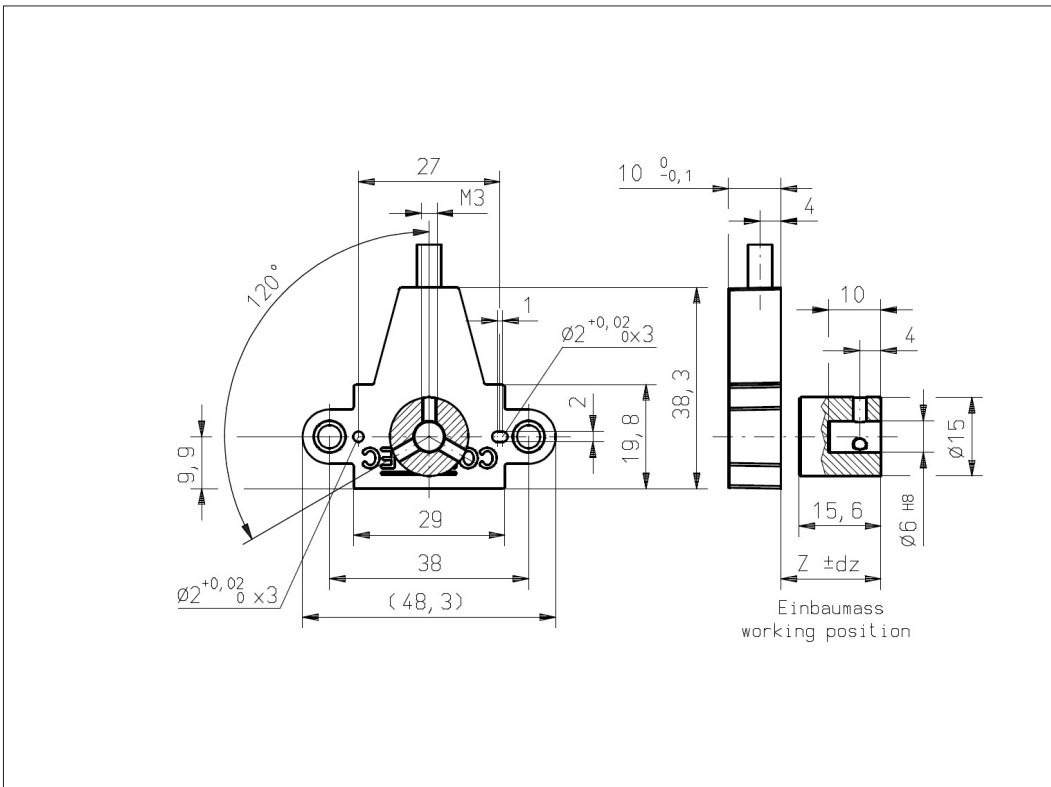




**Vert-X 32E5
single**

Accessoires (incl.)
None

**Working position (Z) and
max. permitted misalign-
ment of the magnetic
actuator**
see mounting information



Vert-X 32E5b836 13x xxx ¹⁾

Vert-X 32E5d836 13x xxx ²⁾

Vert-X 32E5e836 13x xxx ³⁾

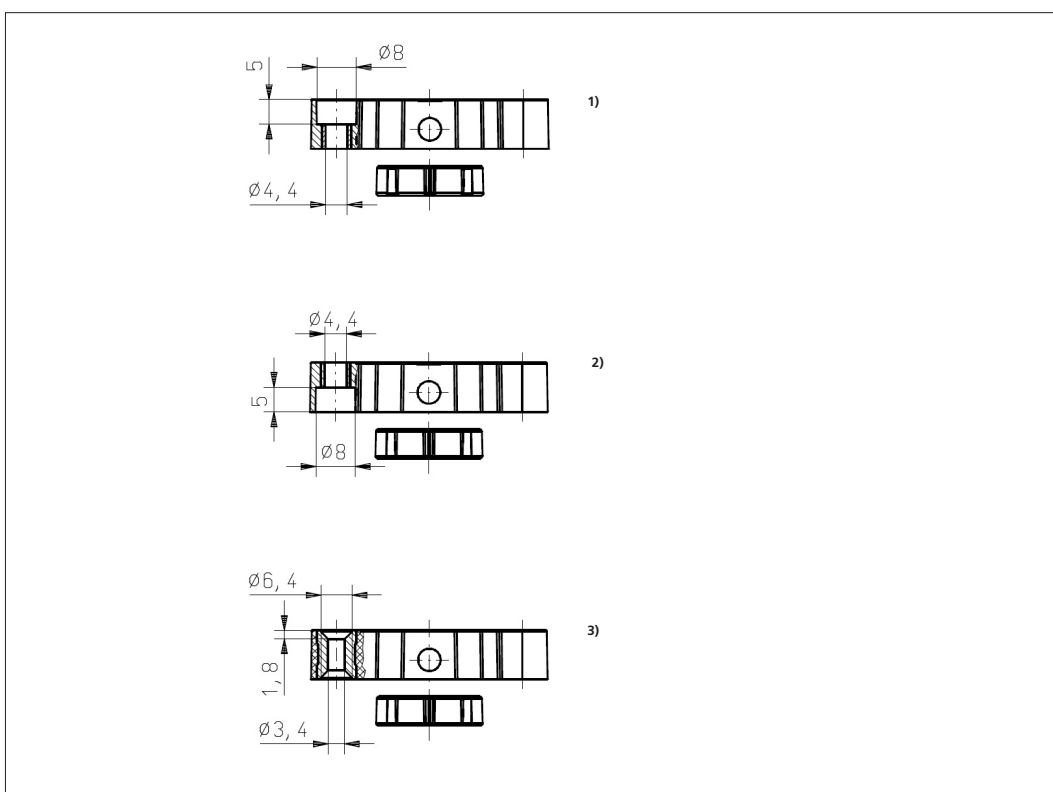
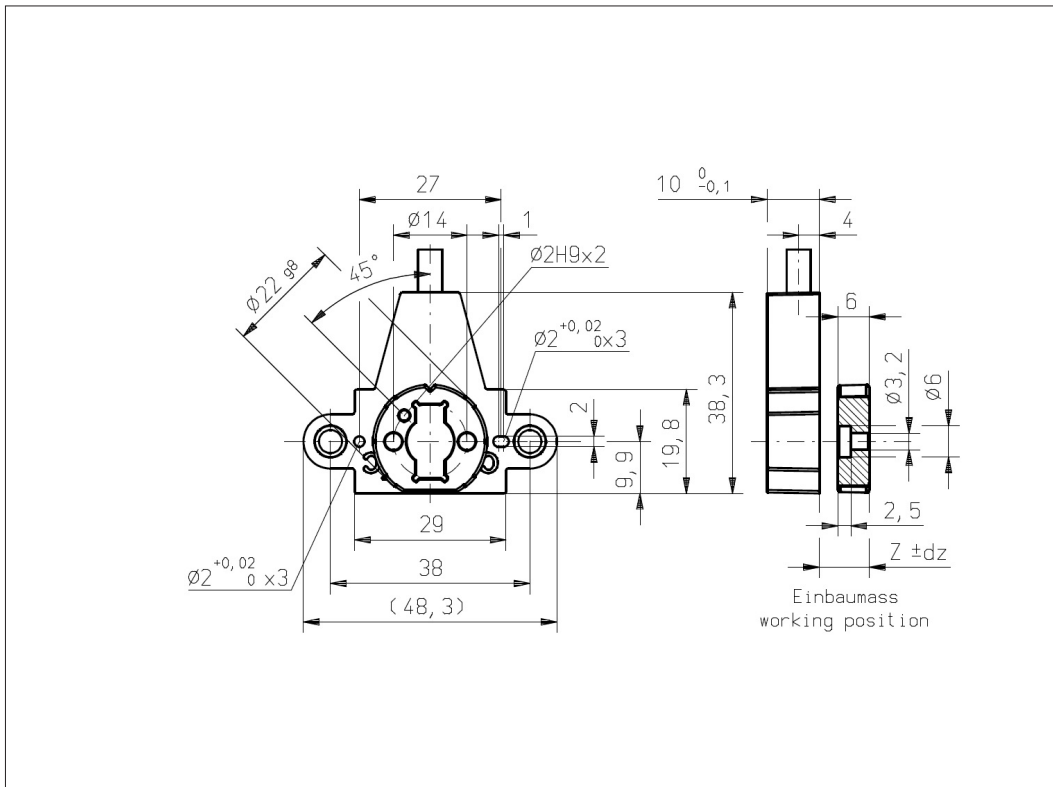
Errors and omissions excepted. Subject to
change without notice. / State: 29.08.14



**Vert-X 32E6
single**

Accessoires (incl.)
None

**Working position (Z) and
max. permitted misalign-
ment of the magnetic
actuator**
see mounting information

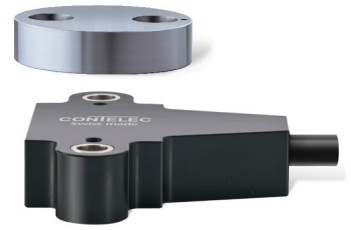


Vert-X 32E6b836 13x xxx 1)

Vert-X 32E6d836 13x xxx 2)

Vert-X 32E6e836 13x xxx 3)

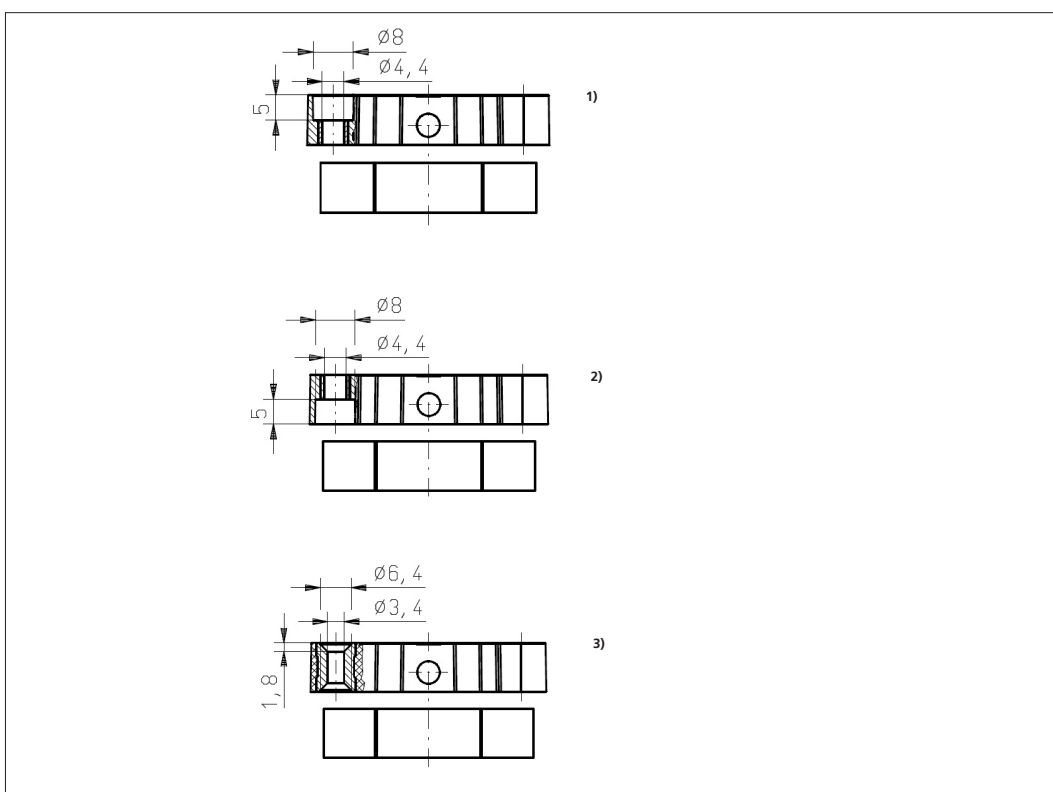
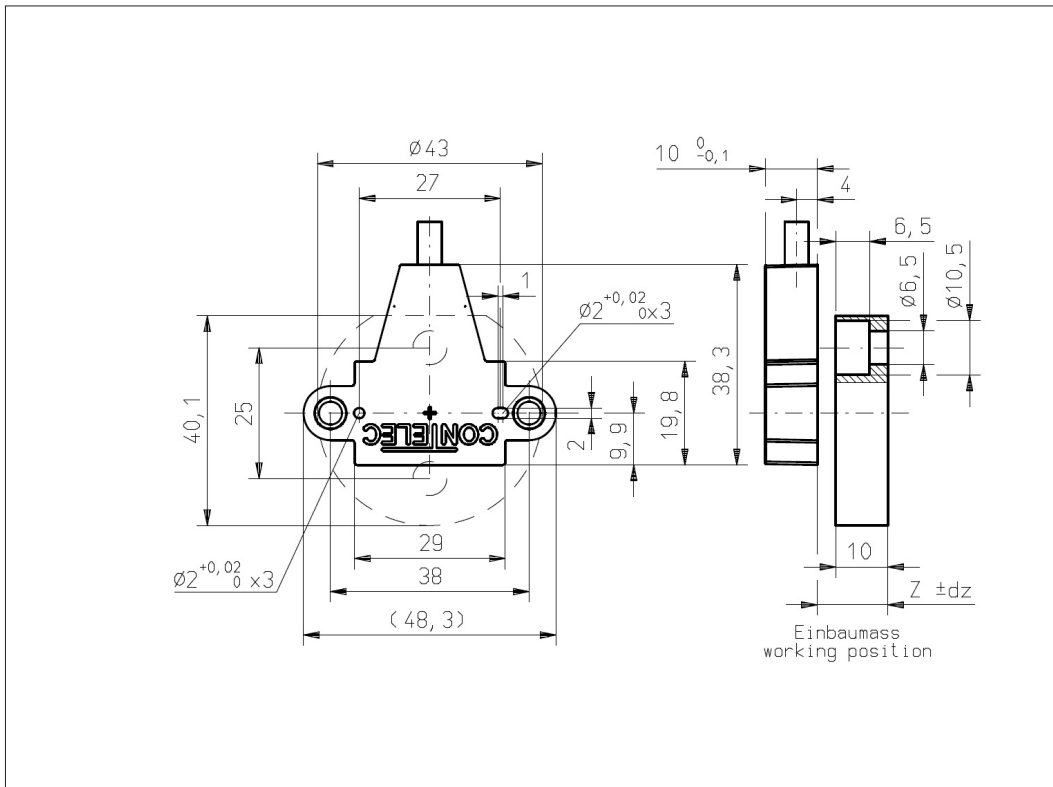
Errors and omissions excepted. Subject to
change without notice. / State: 29.08.14



**Vert-X 32E7
single**

Accessoires (incl.)
None

**Working position (Z) and
max. permitted misalign-
ment of the magnetic
actuator**
see mounting information

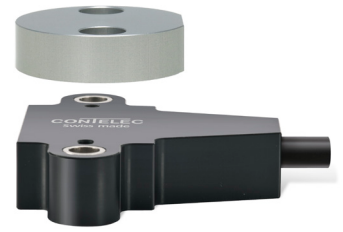


Vert-X 32E7b836 13x xxx ¹⁾

Vert-X 32E7d836 13x xxx ²⁾

Vert-X 32E7e836 13x xxx ³⁾

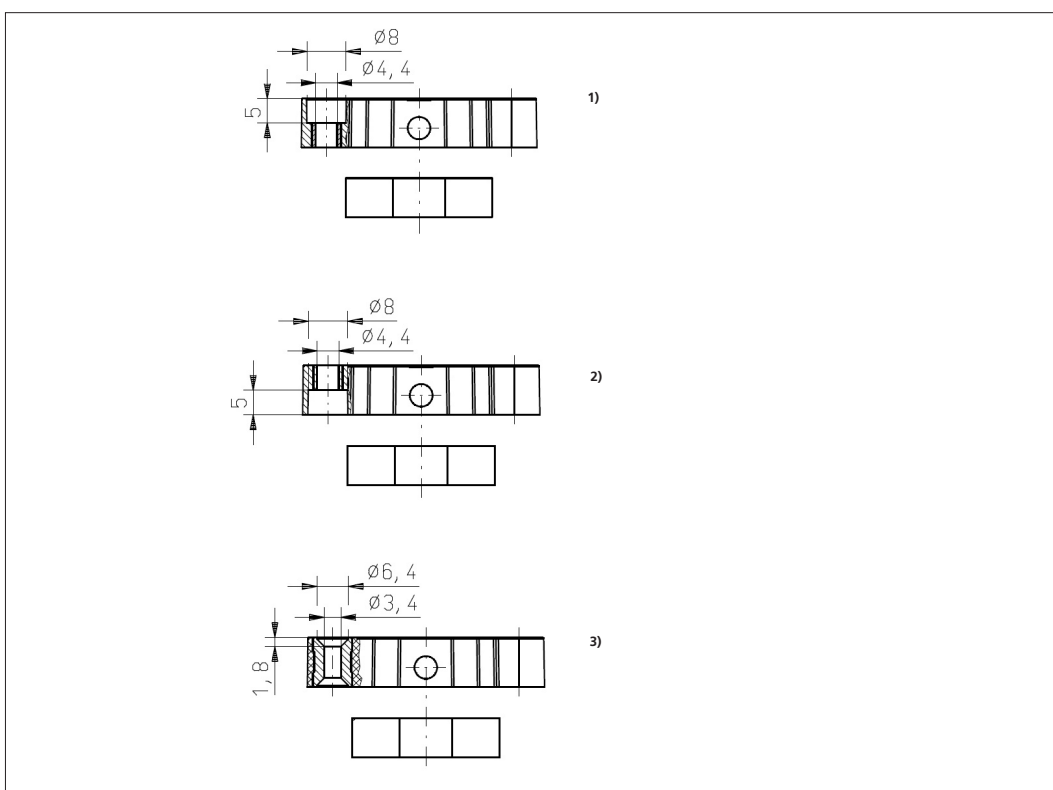
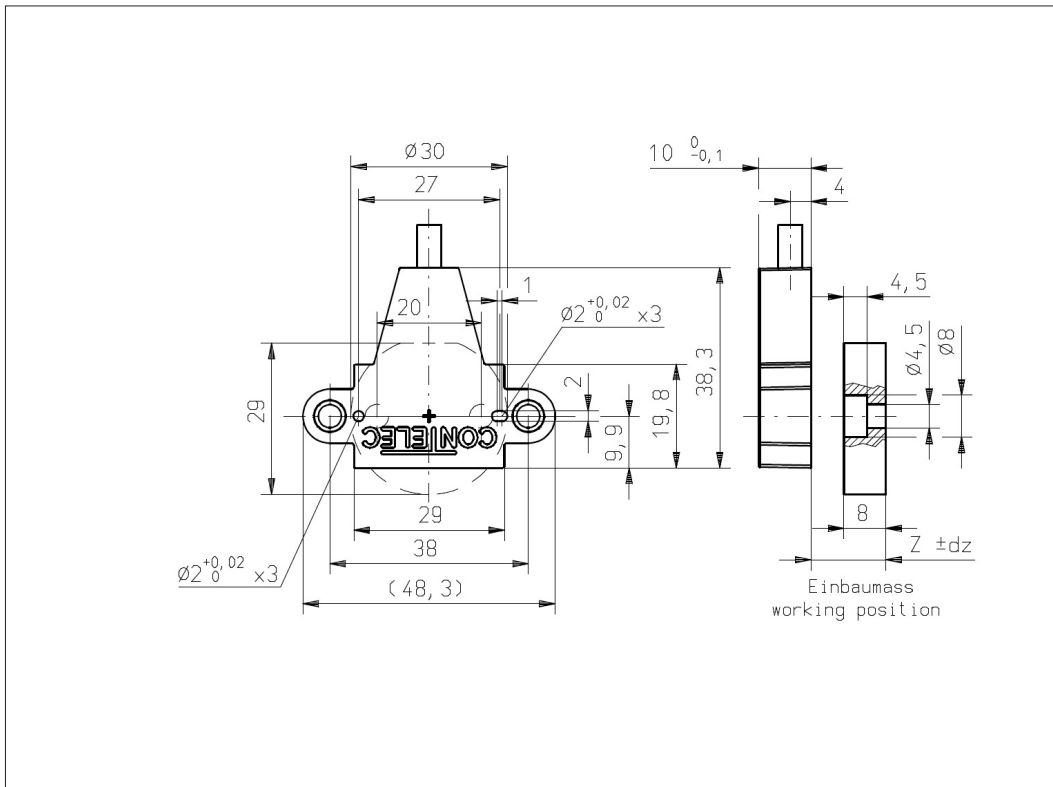
Errors and omissions excepted. Subject to
change without notice. / State: 29.08.14



**Vert-X 32E8
single**

Accessoires (incl.)
None

**Working position (Z) and
max. permitted misalign-
ment of the magnetic
actuator**
see mounting information



Vert-X 32E8b836 13x xxx ¹⁾

Vert-X 32E8d836 13x xxx ²⁾

Vert-X 32E8e836 13x xxx ³⁾

Errors and omissions excepted. Subject to
change without notice. / State: 29.08.14



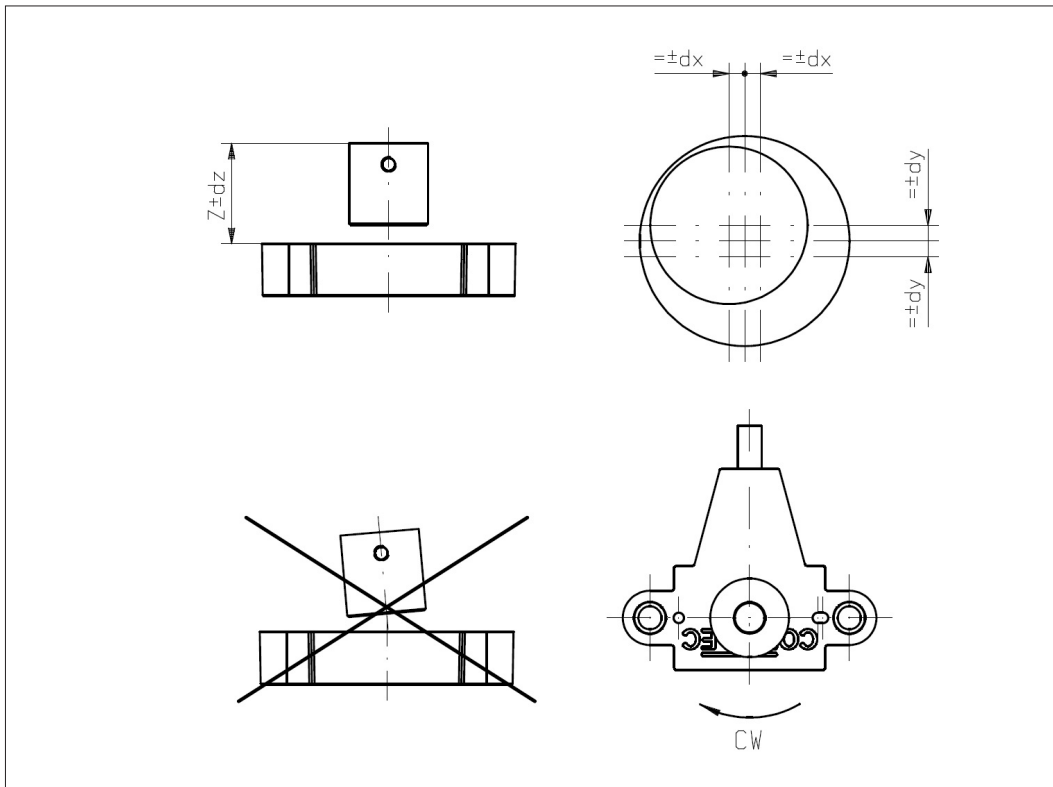
**Vert-X 32E5
single**

Mounting information

Working position (Z)
MH-C2 18.00mm

**Max. permitted misalign-
ment of the magnetic
actuator**

dx ±2.00mm
dy ±2.00mm
dz ±1.20mm



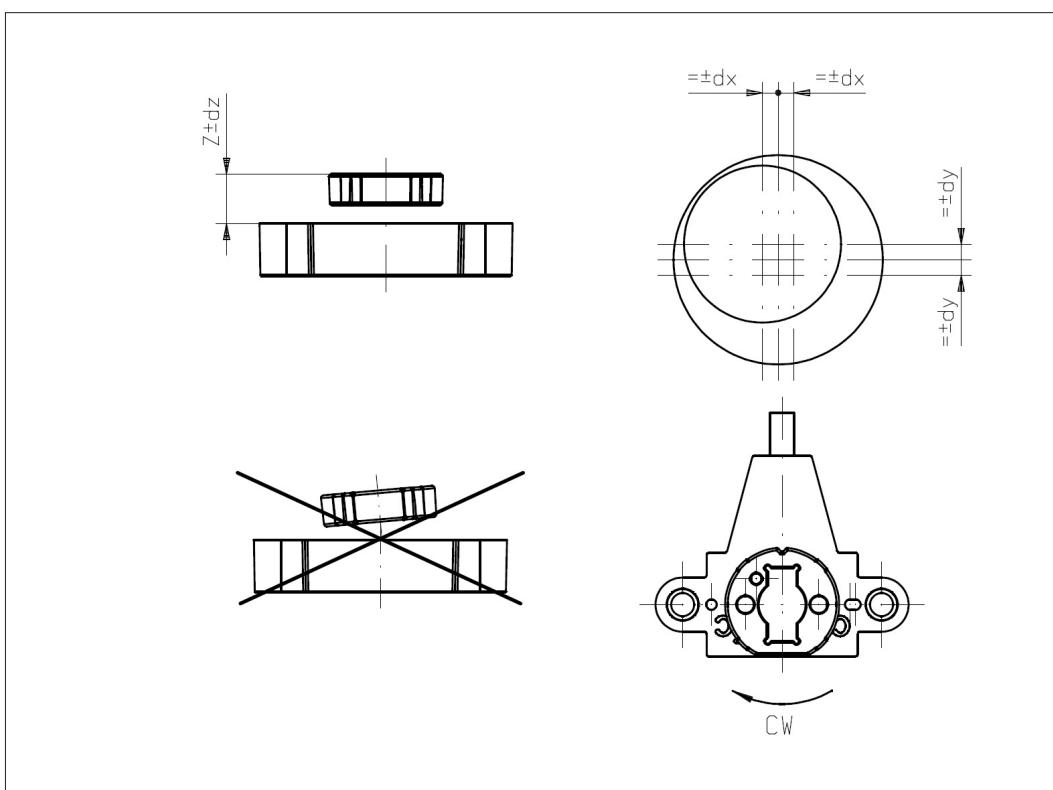
**Vert-X 32E6
single**

Mounting information

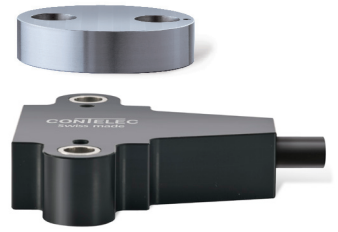
Working position (Z)
MH-C2 7.90mm

**Max. permitted misalign-
ment of the magnetic
actuator**

dx ±2.00mm
dy ±2.00mm
dz ±0.80mm



Errors and omissions excepted. Subject to change without notice. / State: 29.08.14



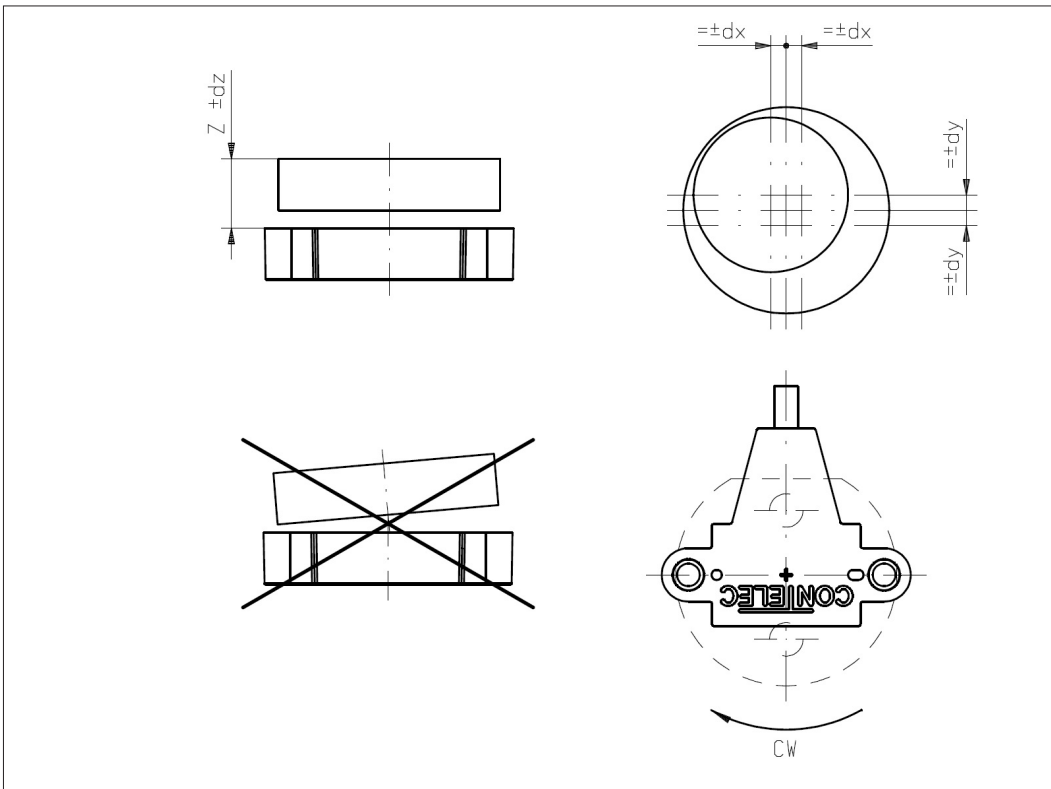
**Vert-X 32E7
single**

Mounting information

Working position (Z)
MH-C2 16.40mm

Max. permitted misalignment of the magnetic actuator

dx ±3.00mm
dy ±3.00mm
dz ±1.80mm



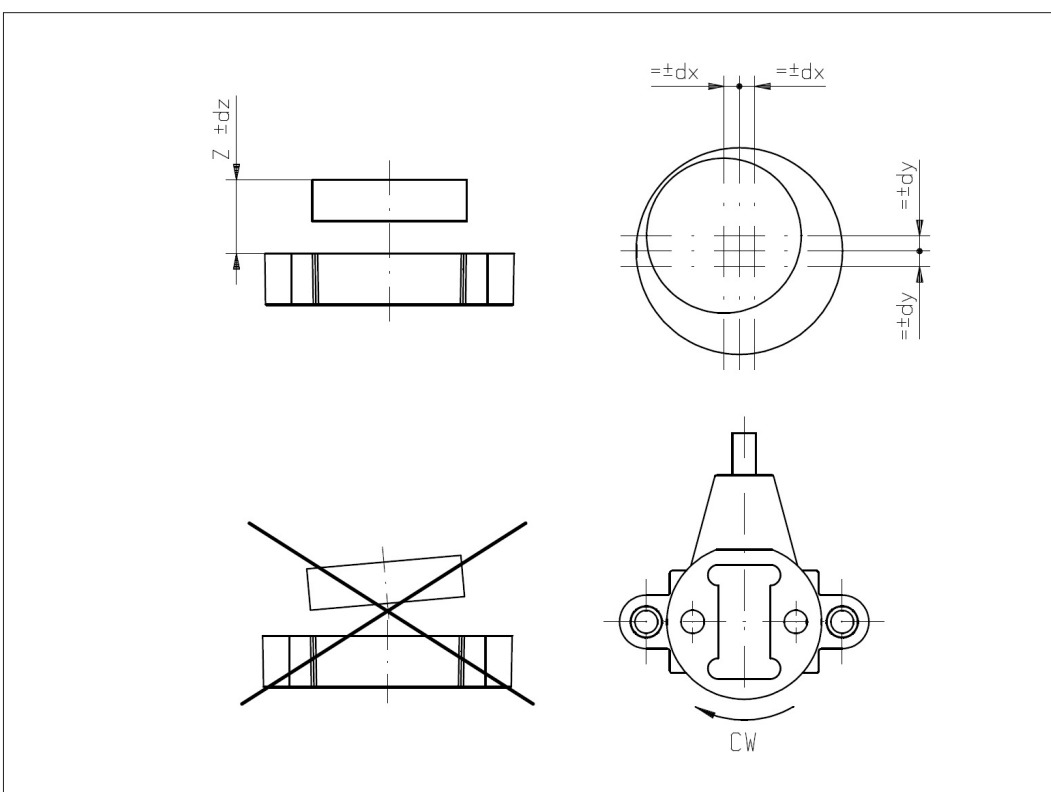
**Vert-X 32E8
single**

Mounting information

Working position (Z)
MH-C2 14.30mm

Max. permitted misalignment of the magnetic actuator

dx ±3.00mm
dy ±3.00mm
dz ±1.60mm



Errors and omissions excepted. Subject to change without notice. / State: 29.08.14



Vert-X 32E - 24V / CANopen
Certificates



Certificate # **CiA201003-301V402/20-0116**

Vendor ID **00 00 00 80**

Manufacturer **Contelec AG**

Device **Vert-X MH-C2 CAN**

Product code: 0001 8774h
Object 1018h/02h

Revision number: C000 C0A1h
Object 1018h/03h

Hardware version: HV30781B
Object 1009h

Software version: SV_1.2.3
Object 100Ah

EDS **MH-C2_CAN.eds**

File version: 1

File revision: 0

EDS version: 4.02

Nuremberg, 26.03.2010

CAN in Automation GmbH
Ludwigstr. 3
90402 Nuremberg

Fax: +49 911 200000
Technical Manager

CAN in Automation GmbH

Errors and omissions excepted. Subject to
change without notice. / State: 29.08.14

CONTELEC
A company of the Siedle-Group